

# Optimize Productivity Increase Profit!

## Maximize Efficiency

Double the capabilities of your press by adding colors, holograms, foil or the increasingly popular RFID chips. The possibilities are endless!

## Lower Material Costs

We guarantee the the Servo 3000 to have to have  $\pm.0025$ " resolution at full speed. This allows your material to go further and your waste to dissappear!

SERVO 3000 DRRS

DIGITAL  
RE-REGISTER  
SYSTEM

## Reduce Downtime

Easily move the Servo 3000 from one press to another, or to a finishing line. Minimal connections means you will be producing product again in minutes!

## Improve Peace Of Mind

The Servo 3000 is built with only top of the line motors and drive systems guaranteeing that you wont worry about making that tight deadline!

## Gain Versatility

The Servo 3000 is designed to work on any web press, regardless of manufacturer. Expand the capabilities of your plant with this proven work-horse!



ROTARY TECHNOLOGIES, INC.

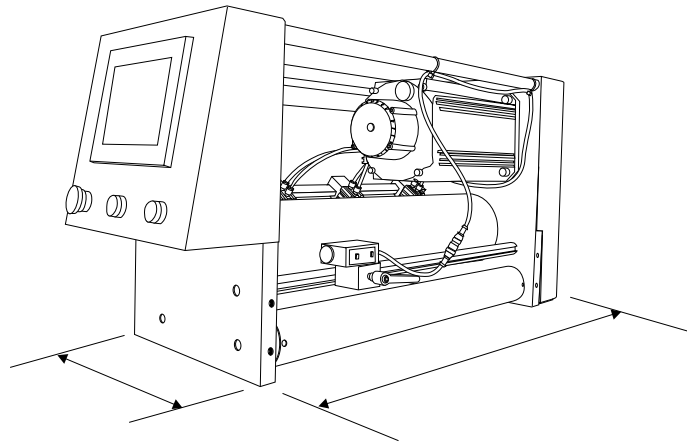


# Valuable Features means endless potential!

Interactive touch screen display guides you through complete operation of the Servo 3000. This coupled with the ease of operation makes it so that training is simple. "Icon Driven," operator menus are precise with many presets - truly making the Servo 3000 the easiest re-register unit to use.

Our "Servo Talk" technical support means we will find, diagnose and fix your problem quickly and accurately meaning less downtime and more production. We can diagnose a problem remotely as well as help you get the Servo 3000 to run the most effectively. All you need is a phone line!

## PRODUCT SPECIFICATIONS



Mechanical				Electrical	Air
Web Width	Length	Guards	Weight	200-480 VAC 3 Phase 15 Amps	Shop Air
10"	14"	Front 4.5"	150 lbs.		
16"	20"	Back 3"	Approx.		
20.5"	24.5"				

Visit our website or call to find out more about our products.



7101 TPC Drive • Suite 120 • Orlando, FL 32822

800-422-5496 • 407-888-2886

[WWW.ROTARYTECHNOLOGIES.COM](http://WWW.ROTARYTECHNOLOGIES.COM)