

Rotary Technologies Infeed + Reregister System



The Servo 3000 Infeed + Reregister System saves money and enhances performance, right out of the box. Install it on your existing press or diecutter and start running multi-layer labels, performing second-pass operations and converting digitally printed labels — all with less material waste.

Servo 3000 Infeed + Reregister System

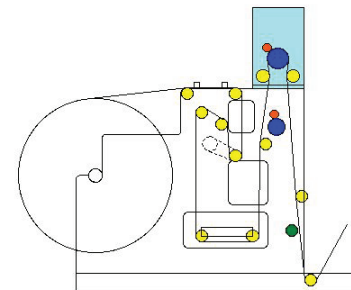
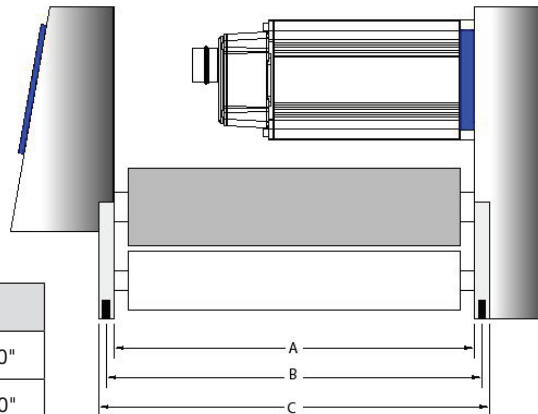
Are you considering the Epson SurePress L-4033A but are reluctant to invest up to \$500K for offline finishing equipment? The Servo 3000 Infeed + Reregister System is the affordable alternative.

Combined with the Epson SurePress, the Servo 3000 creates an ideal label-finishing solution. Job set-ups are easy and material waste is low. And, since the Servo 3000 installs on your existing press or diecutter, your operators are already trained on the equipment. Plus, your equipment investment won't be limited to digital print finishing. You will enjoy every benefit of the Servo 3000. This bolt-on unit adds performance capabilities to mechanical presses similar to those found on today's pure servo presses. Reduced material waste, improved press registration and increased run speeds are the results. These improved efficiencies translate to a fast ROI, regardless of press make or year. In short, the system is an easy add-on that makes any press better.



Model Numbers:

Model	A	B	C
10.00"	12.50"	13.25"	14.00"
16.00"	18.50"	19.25"	20.00"
20.50"	23.00"	23.75"	24.50"



Power Requirements:

Voltage 3x 208 – 520 VAC
Cycle 50/60 Hz
Service 20 Amps

Epson America, Inc.
3840 Kilroy Airport Way, Long Beach, CA 90806
www.epson.com

Epson Canada, Ltd.
3771 Victoria Park Avenue, Toronto, Ontario M1W 3Z5
www.epson.ca

Rotary Technologies, Inc.
3340 Chatsworth Lane, Orlando, FL 32812 USA
Phone 407-888-2886
Email: sales@rotarytechnologies.com
Web: www.rotarytechnologies.com

Epson is a registered trademark, Epson Exceed Your Vision is a registered logomark and SurePress is a trademark of Seiko Epson Corporation. All other product and brand names are trademarks and/or registered trademarks of their respective companies. Epson disclaims any and all rights in these marks. Copyright 2010 Epson America, Inc. CPD-33096 8/10 PDF

For more information, please visit www.epson.com/surepress